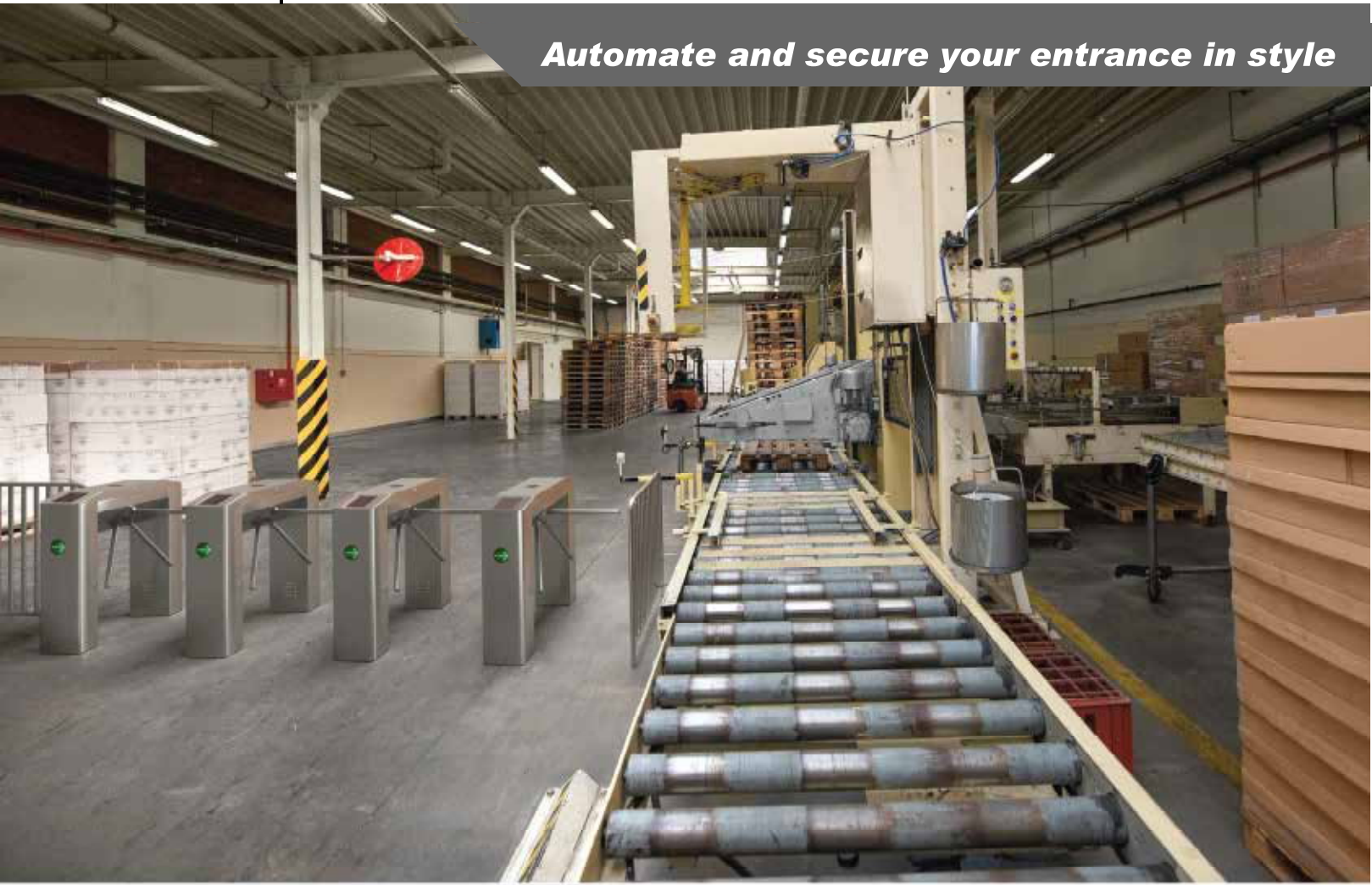


Automate and secure your entrance in style



Semi Automatic Tripod Turnstile

Model : TTS351L series

TTS351L is an electro mechanical waist height tripod turnstile. Its unique mechanical drive design allow the arm to be pushed effortlessly and auto-rotate back without any expensive electric motor.

TTS351L series can effectively control high volume human traffic (up to 25 person per minutes) while still maintaining a welcoming atmosphere. They can easily be integrated with any electronic system for ticketing, access control or time attendance. TTS351L series is suitable for indoor ONLY. It is NOT suitable to be installed outdoor or near sea side. They are optimized economical solution for railway, bus station, factory, colleges, commercial building, library, stadium, game park, bank and etc.

Premium
automation



**DUAL LEVEL
ANTI - REVERSE LOCK**



**SINGLE PASS
TIMER**

DLAR (**Dual level anti-reverse**) smart lock ensure only 1 person can pass through at a time.

SPT (**Single pass timer**) alarm ensure user pass through within time limit.

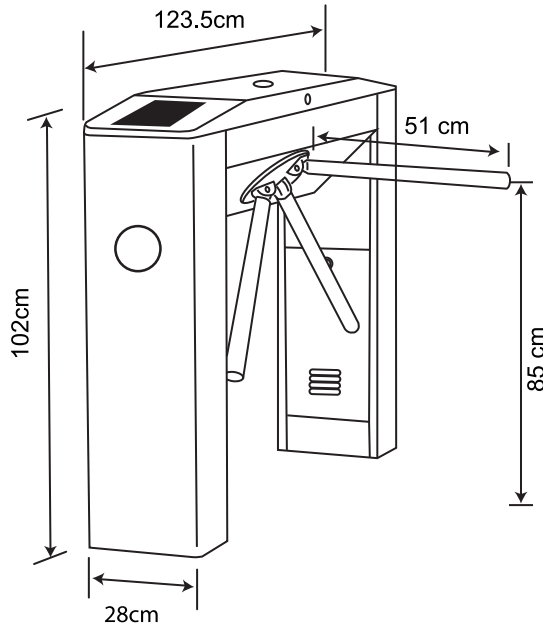
Both features help minimize tail-gating more effectively.



TECHNICAL SPECIFICATION:

Description	Parameters
Pass speed	25 person per min
Response time	0.3 sec
Power supply input	AC230V ± 10V
power consumption	Idle 16W Operating 38W

DIMENSION:



ORDERING INFO:

Model No	Description
TTS351L	Standard tripod turnstile with additional LED light

BUNDLED ACCESSORIES:



OPTIONAL ACCESSORIES:



Authorized dealer

Feature

1 EASY MAINTENANCE

Common parts are modular and can be easily changed by simply removing screws. Top cover can be opened for full access into internal mechanism during servicing. Regular wear and tear parts can be purchased to keep stock for faster replacement.

2 SEMI AUTO ROTATION

Its unique mechanical drive design allow the arm to be pushed effortlessly and auto-rotate back without any expensive electric motor. If arm rotated more than half, it will auto-rotate to the next idle position. If arm rotated less than half, it will auto-rotate back to the current idle position. Adjustable absorber controls rotation force to minimize loud sound and avoid over rotation.

3 ANTI TAIL-GATING

DLAR technology provide dual level smart lock to ensure that user can only move forward to pass through one person at a time. Arm will automatically relock back if nobody pass through after a preset delay time.

4 USER FRIENDLY

LED at top cover indicates approved entry direction after flash card. LED at each leg indicate if the lane is available or closed down for servicing. During power failure, arm will drop automatically allowing free pass through. Arm is manually lifted up back to position after power resumed.

5 EASY INTEGRATION

Turnstile is triggered to open via dry contact relay output for bi-directional or uni-directional entry. RFID reader can be easily installed underneath side black acrylic. Top cover and side leg can be opened to install external devices.



“ Entrance is the first level of protection in building security. MAG offer complete gate automation system to secure your entrance.... ”