

EP.S3400 Door Control Panel

HIGH PERFORMANCE

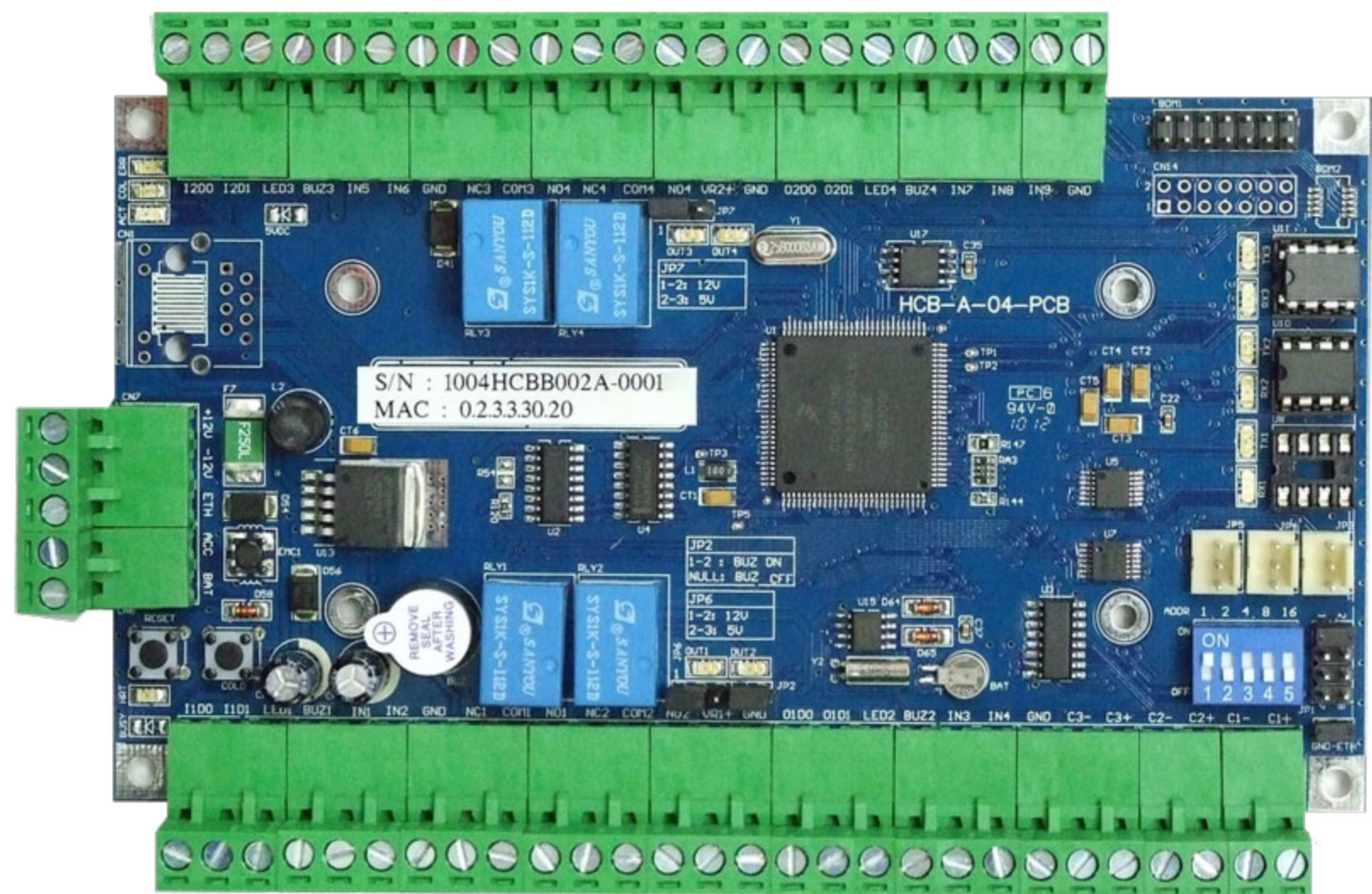
Based on the latest HCB (Hybrid Compact Board), S3400 is a high reliability, high efficiency and highly integrated intelligent multi-application control panel targeted for physical access control industry. It features a 32bits Freescale ColdFire microcontroller running at 60MHz, this control panel can fulfill most demanding requirement in physical access control environment.

DYNAMIC STORAGE ALLOCATION (DSA)

DSA empower system administrator to modify the factory preset card holder and event storage database whenever necessary. Result of such modification leads a more personalized usage of the control panel whenever needed.

DOOR INTERLOCKING

2 In doors interlocking within the control panel, no external wiring is needed. Cross-board interlocking is achievable by checking the interlocking signal coming from second control panel before granting the accessibility to the local control panel.



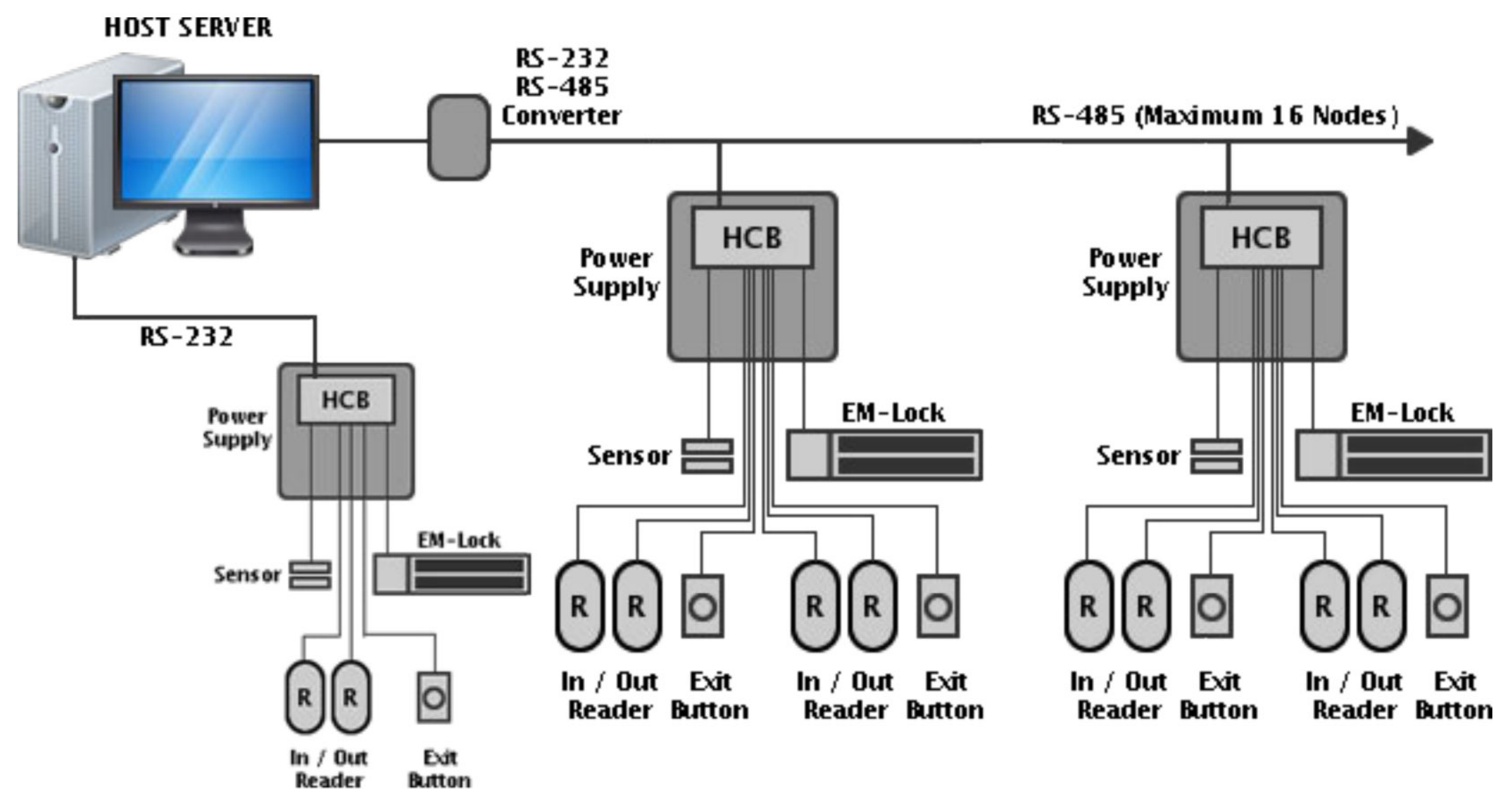
- Support Single Doors / 2 Doors / 4-In doors
- Support Car Park Mode
- Support Dynamic Reader Location
- Compatible with various reader technologies
- Large Card Holder & Event Storage
- Dynamic Storage Allocation
- Dynamic Operation Profile
- Mixed Profile Operation
- Event Based Triggering
- Support Future Add-On Module
- User Counting (Card Holder / Car Park)

Ordering Information

EP.S3400.PCB
EP.S3400.PSU

Entrypass 4 Readers Advanced Serial Door Control Panel Only
Entrypass 4 Readers Advanced Serial Door Control Panel with Power Supply Unit

Basic System Diagram



ACCESSORIES



Biometrics Reader



RFID Reader



Magnetic Sensor



EM Lock

Technical Specification	
MCU	32bits @ 60MHz
Memory	<ul style="list-style-type: none"> • 256K Flash Memory • 32K SRAM (Buffer) • 64Mbits Non-Volatile SPI Flash Memory (Storage)
Card holder	30,000
Event Transaction	80,000
Digital/Supervise Inputs	Max. 8, User configurable (Door Sensor/Request-To-Exit/Fire Input/General Purpose)
Digital Output	Max. 4 Dry contact Relay
Onboard Real Time Clock	Yes
Serial Communication Port	3 - RS232/RS485 User Configurable
Power Protection	Resettable Fuse - 2.5A
Surge Protection	TVS - Up to 15KVA
Onboard LED Control	Power / Communication / LAN / Event / Error
Onboard Buzzer	1
AC Fail Monitoring	Yes
Battery Monitoring	Yes (Firmware threshold control to shutdown control panel)
External Short Circuit Protection	At readers
Backup Battery	Yes, Apply to RTC only

DCAM Technology (M) SDN BHD

No.18-2, Jalan DU2, Taman Damai Utama,
47180 Puchong, Selangor Darul Ehsan, Malaysia.

Tel: +603-8074 8633

Fax: +603-8082 1597